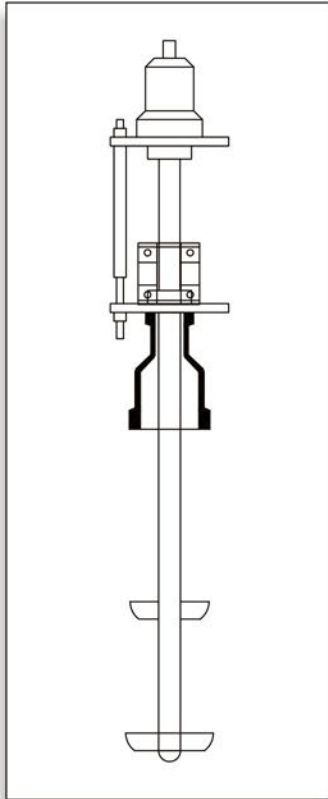


# STIRRERS

## STIRRING ASSEMBLY WITH MECHANICAL SEAL



A stirrer is assembled in chuck with mechanical seal and appropriate reducer. This assembly is convenient to install on a vessel. The assembly consist of :

- |                              |             |
|------------------------------|-------------|
| a. Glass stirrer             | STB/STV/STP |
| b. Chuck and mechanical seal | CSM         |
| c. Reducer                   | PR          |

Cat. Ref.	For Vessel	Stirrer Used	Chuck & Seal	Reducer Used
STBM20	20L	STB20	CSA1	PR4/2
STBM50*	50L	STB50	CSA1.5	PR6/3
STBM100*	100L	STB100	CSA1.5	PR9/3
STBM200	200L	STB200	CSA1.5	PR12/3
STBM300	300L	STB300	CSA2	PR16/4
STVM50	50L	STV50	CSA1.5	PR6/3
STVM100	100L	STV100	CSA1.5	PR9/3
STVM200	200L	STV200	CSA1.5	PR12/3
STVM300	300L	STV300	CSA2	PR16/4
STPM50	50L	STP50	CSA1.5	PR6/3
STPM100	100L	STP100	CSA1.5	PR9/3
STPM200	200L	STP200	CSA1.5	PR12/3
STPM300	300L	STP300	CSA2	PR16/4